

COORDINATION:

A. Changes affecting the layout shown must be specific and clearly conveyed to GreenWorks Engineering and Consulting in written form as a change for inclusion into these plans. Contractor and/or client shall verify all dimensions and layout prior to construction. All dimensions on structural drawings shall be checked against architectural drawings and any discrepancies shall be brought to the attention of the Architect and Engineer immediately. Refer to mechanical, electrical and architectural drawings for openings not shown on structural drawings.

B. All temporary shoring shall be the responsibility of the contractor.

C. Design is void after two years from original date of issue, unless updated to acceptable codes and practices at that time.

CONCRETE:

A. Concrete shall have a minimum 28 day compressive strength of 3,500 psi

B. All #4 and larger reinforcing steel shall be grade 60

C. All #3 reinforcing steel shall be grade 40

D. Foundation design is based on a soil with a minimum bearing capacity of 1,200 psf

WOOD:

A. Framing lumber shall be Hem Fir (unless noted otherwise) and as follows or better:

- Joists and Rafters #2 Grade
- 2x and 4x Beams #2 Grade
- Posts #1 Grade Post and Timber

B. All wood construction shall be in conformance with the provisions of "The National Design Specification for Wood Construction", latest edition.

C. Where not otherwise shown on plans, all nailing or screwing shall be as indicated in the Building Code. All sheathing must be nailed. Adhesives SHALL NOT be used in place of nailing.

D. Metal connectors to be provided by 'Simpson Strong-Tie' or equivalent.

E. APA rated OSB may be used in lieu of plywood with prior approval from Engineer of Record.

LOADING: (IRC 2018)

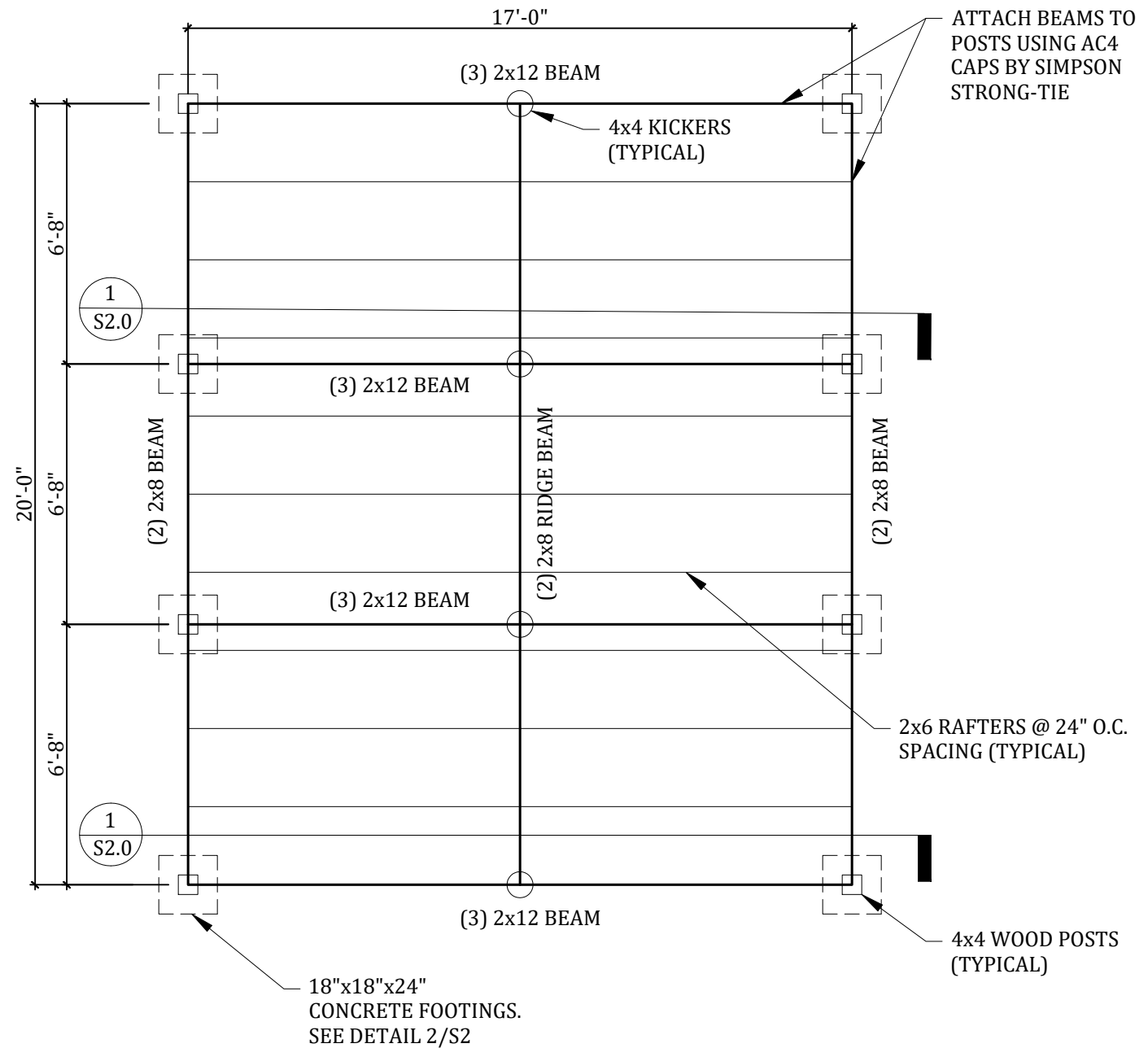
ROOF DEAD 10 psf
 ROOF LIVE 20 psf
 ROOF SNOW 5 psf

WIND 115 mph
 EXPOSURE C
 RISK CAT II



Wayne Leake III

03/06/2020



FRAMING PLAN

1/4"=1'-0"

CARPORIT

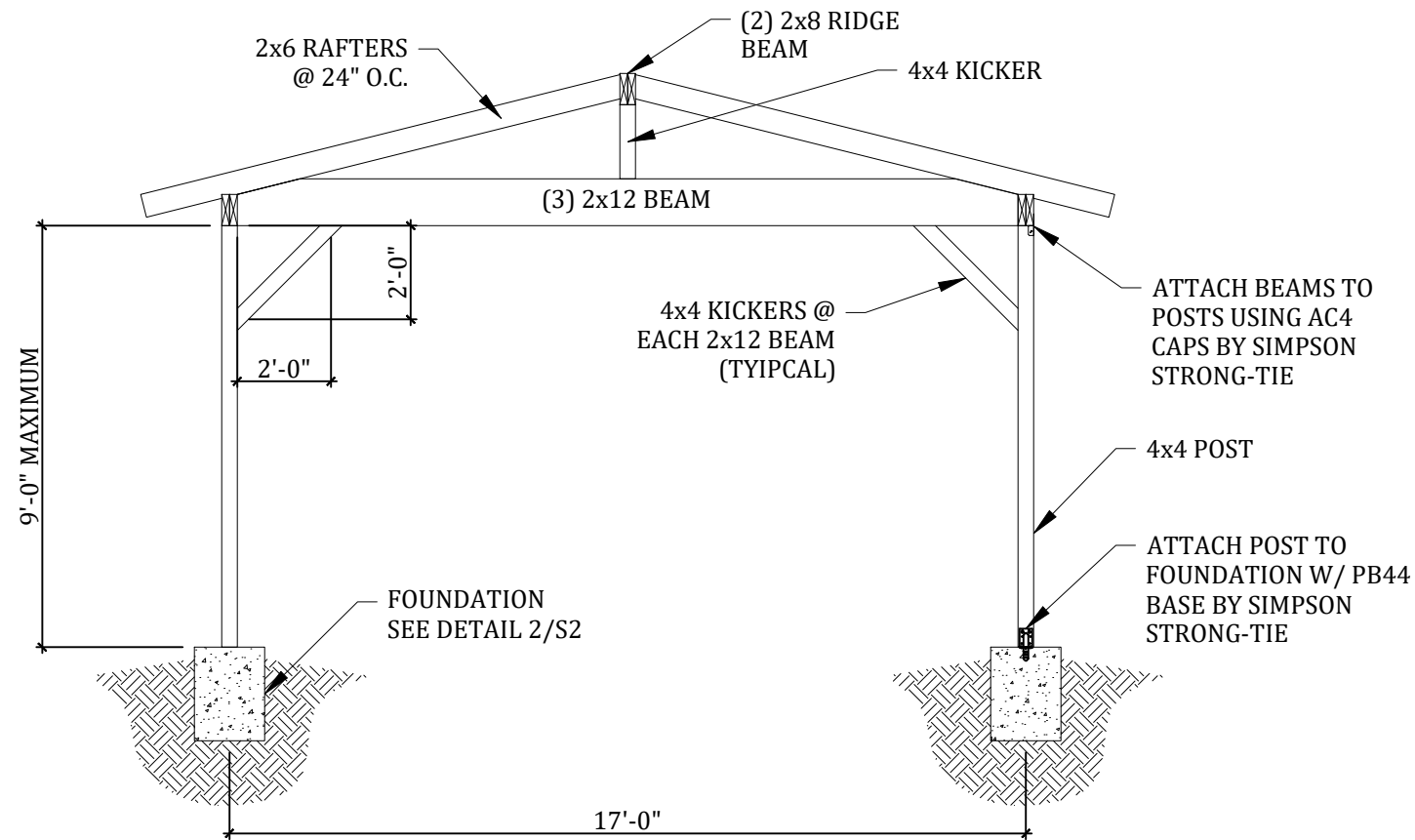
Project No: 17308
 Date: 03/06/2020

Revision Date: _____

S1

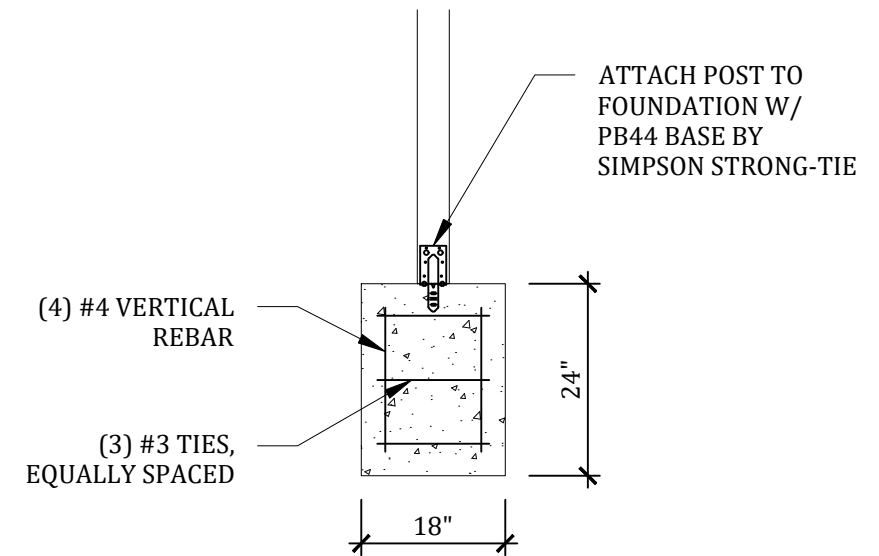
OF: 2

GREENWORKS
 ENGINEERING & CONSULTING
 600 N. Pearl Street
 Suite S1900
 Dallas, Texas 75201
 (855) 349-6757
 Texas Eng. Firm : 20170

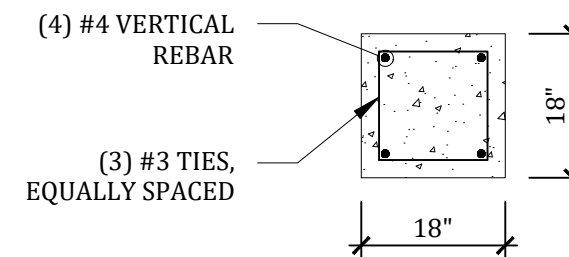


SECTION - 1

1/4"=1'-0"



SIDE VIEW



TOP VIEW

DETAIL - 2

1/8"=1'-0"



Wayne Leake III

03/06/2020

CARPORT

Project No: 17308
Date: 03/06/2020

Revision Date:

S2

OF: 2